

# SAS *Youth Camp and Emergency Relief Shelters*

*The Original with the  
casted aluminium connection*



*at disasters, help missions, events, tournaments, camps...*





### Tent-Type SAS 24

<b>Frame:</b>		Ground Area m <sup>2</sup>	24
6 Tubes 2,44m		Cover Weight kg	31
6 Tubes 1,94m		Frame Weight kg	35
6 Tubes 1,73m		Total Weight kg	66
6 3-Way Couplings		Longest part cm	244
3 4-Way Couplings			
6 Foot Plates			



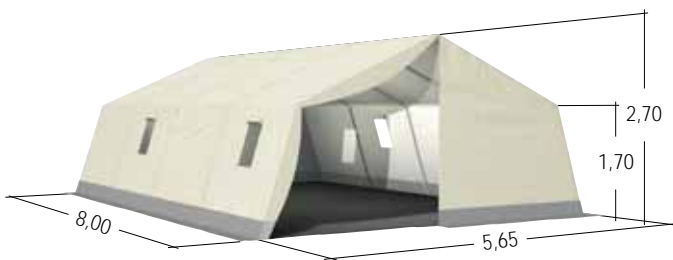
### Tent-Type SAS 35

<b>Frame:</b>		Ground Area m <sup>2</sup>	35
8 Tubes 2,44m		Cover Weight kg	45
17 Tubes 1,94m		Frame Weight kg	45
6 3-Way Couplings		Total Weight kg	90
6 4-Way Couplings		Longest part cm	244
8 Foot Plates			



### Tent-Type SAS 34

<b>Frame:</b>		Ground Area m <sup>2</sup>	34
8 Tubes 2,44m		Cover Weight kg	39
9 Tubes 1,94m		Frame Weight kg	46
8 Tubes 1,73m		Total Weight kg	85
6 3-Way Couplings		Longest part cm	244
6 4-Way Couplings			
8 Foot Plates			



### Tent-Type SAS 45

<b>Frame:</b>		Ground Area m <sup>2</sup>	45
10 Tubes 2,44m		Cover Weight kg	53
12 Tubes 1,94m		Frame Weight kg	58
10 Tubes 1,73m		Total Weight kg	111
6 3-Way Couplings		Longest part cm	244
9 4-Way Couplings			
10 Foot Plates			



### Tent-Type SAS 56

<b>Frame:</b>		Ground Area m <sup>2</sup>	57
12 Tubes 2,44m		Cover Weight kg	64
15 Tubes 1,94m		Frame Weight kg	72
12 Tubes 1,73m		Total Weight kg	136
6 3-Way Couplings		Longest part cm	244
12 4-Way Couplings			
12 Foot Plates			

#### Frames:

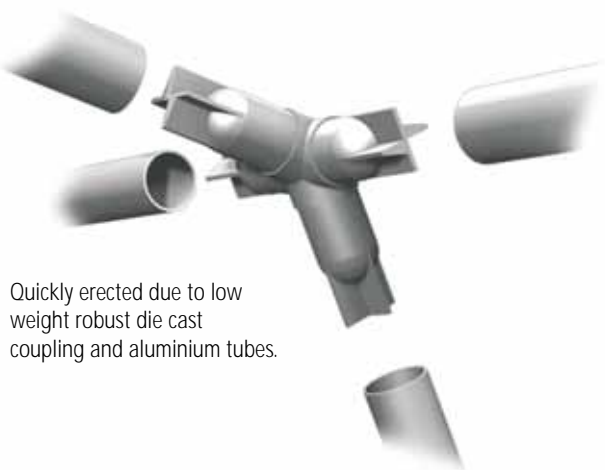
Aluminium tubing 40 x 1,5 mm; die cast coupling.

#### Covering:

Cottonpolyester, 50% cotton / 50% polyester, 420g/m<sup>2</sup>, both gables separate, 2 entrances, PVC with mud flaps.

#### Extras:

Packing bags for covering, frame and extras are included. Floor and separation walls are available.



Quickly erected due to low weight robust die cast coupling and aluminium tubes.



# ORDER FOR YOUTH CAMP AND EMERGENCY RELIEF SHELTERS

direct by FAX: 0 60 49 / 700-505 RÖDER Zelt- und Veranstaltungsservice GmbH

**invoice address:**

.....  
 company  
 .....  
 contact person  
 .....  
 street  
 .....  
 CIP - city  
 .....  
 phone  
 .....  
 fax  
 .....  
 e-mail

**delivery address:**

.....  
 company  
 .....  
 contact person  
 .....  
 street  
 .....  
 CIP - city  
 .....  
 phone  
 .....  
 fax  
 .....  
 e-mail

- We have further questions on shelters; please call us back.  
 We have questions for big tents and/or party tents; please call us.  
 **Order as follows:**

tent-type	price in Euro/each	amount	sum total
SAS 24, 4,75m x 5m (BxL), incl. 2 windows	996,-	<input type="text"/>	<input type="text"/>
floor covering, PVC for SAS 24	181,-	<input type="text"/>	<input type="text"/>
SAS 34, 5,65m x 6m (BxL), incl. 2 windows	1.249,-	<input type="text"/>	<input type="text"/>
floor covering, PVC for SAS 34	253,-	<input type="text"/>	<input type="text"/>
SAS 35, 5,90m x 6m (BxL), incl. 2 windows	1.298,-	<input type="text"/>	<input type="text"/>
floor covering, PVC for SAS 35	253,-	<input type="text"/>	<input type="text"/>
SAS 45, 5,65m x 8m (BxL), incl. 4 windows	1.469,-	<input type="text"/>	<input type="text"/>
floor covering, PVC for SAS 45	331,-	<input type="text"/>	<input type="text"/>
SAS 56, 5,65m x 10m (BxL), incl. 4 windows	1.649,-	<input type="text"/>	<input type="text"/>
floor covering, PVC for SAS 56	408,-	<input type="text"/>	<input type="text"/>
partition wall, PVC, undivided	234,-	<input type="text"/>	<input type="text"/>
packing bag for floor covering	36,-	<input type="text"/>	<input type="text"/>

sum total in Euro: \_\_\_\_\_

**frames:** aluminium tubing 40mm x 1,5mm; coupling cast steel.  
**covering:** cottonpolyester 50%/50%, 420 g/m². Both gables separate, 2 entrances. PVC-covering at enquiry.  
**included:** packing bags for frame, covering and extras.

**delivery terms:**  
 ex works Büdingen.

date of despatch: .....

.....  
 date / signature



# ORDER FOR SAS SHELTER SPARE PARTS

direct by FAX: +49 (0) 60 49 / 700-505 RÖDER Zelt- und Veranstaltungsservice GmbH

**invoice address:**

.....  
company

.....  
contact person

.....  
street

.....  
CIP - city

.....  
phone

.....  
fax

.....  
e-mail

**delivery address:**

.....  
company

.....  
contact person

.....  
street

.....  
CIP - city

.....  
phone

.....  
fax

.....  
e-mail

- We have further questions on shelters; please call us back.
- We have questions for big tents and/or party tents; please call us.

Order for spare parts as follows:

	Euro/each	amount	sum total
<b>frame SAS 24</b>	285,-	<input type="text"/>	<input type="text"/>
<b>frame SAS 34</b>	386,-	<input type="text"/>	<input type="text"/>
<b>frame SAS 35</b>	392,-	<input type="text"/>	<input type="text"/>
<b>frame SAS 45</b>	488,-	<input type="text"/>	<input type="text"/>
<b>frame SAS 56</b>	589,-	<input type="text"/>	<input type="text"/>
<b>tube, 2,44 m</b>	20,-	<input type="text"/>	<input type="text"/>
<b>tube, 1,94 m</b>	16,-	<input type="text"/>	<input type="text"/>
<b>couplings, 3-ways</b>	18,-	<input type="text"/>	<input type="text"/>
<b>couplings, 4-ways</b>	21,-	<input type="text"/>	<input type="text"/>
<b>leg, 1,73 m with foot plates</b>	40,-	<input type="text"/>	<input type="text"/>
<b>leg, 1,94 m für SAS 35, with foot plates</b>	42,-	<input type="text"/>	<input type="text"/>
<b>earth anchor</b>	3,-	<input type="text"/>	<input type="text"/>

sum total 1: Euro \_\_\_\_\_

	Euro/each	amount	sum total
<b>covering SAS 24</b>	739,-	<input type="text"/>	<input type="text"/>
<b>covering SAS 34</b>	911,-	<input type="text"/>	<input type="text"/>
<b>covering SAS 35</b>	945,-	<input type="text"/>	<input type="text"/>
<b>covering SAS 45</b>	1.031,-	<input type="text"/>	<input type="text"/>
<b>covering SAS 56</b>	1.169,-	<input type="text"/>	<input type="text"/>

PVC-covering at enquiry.

<b>packing bag, for frames (all types)</b>	88,-	<input type="text"/>	<input type="text"/>
<b>packing bag, for covering (all types)</b>	72,-	<input type="text"/>	<input type="text"/>
<b>packing bag, for accessories (all types)</b>	27,-	<input type="text"/>	<input type="text"/>
<b>packing bag, for floor covering (all types)</b>	36,-	<input type="text"/>	<input type="text"/>

sum total 2: Euro \_\_\_\_\_

invoice total: Euro \_\_\_\_\_

**delivery terms:**

ex works Büdingen.

date of despatch: .....

.....  
date / signature