

# PARTY TENT MEGA TERZ 6M



**Clear-span width**

600 cm

**side height**

229 cm

**ridge height**

338 cm

**Highest point**

488 cm

**Roof pitch**

20°

**Bay distance**

300 cm

**Gable uprights**

1 gable upright (per end)

**Longest component**

350 cm

**Minimum tent length**

As shown

**Maximum tent length**

No limit

**Main profile**

81 x 48 x 3mm - optional 94 x 48 x 3mm

**Eave / corner connection**

Internal eave insert

**Max. allowed wind speed to DIN**

50 mph windloading

0.3 kN/m<sup>2</sup>

**Extension / lean-to options**

½ hexagonal at gable end

With Mega tents 6m and 8m

Extension

**Flooring options**

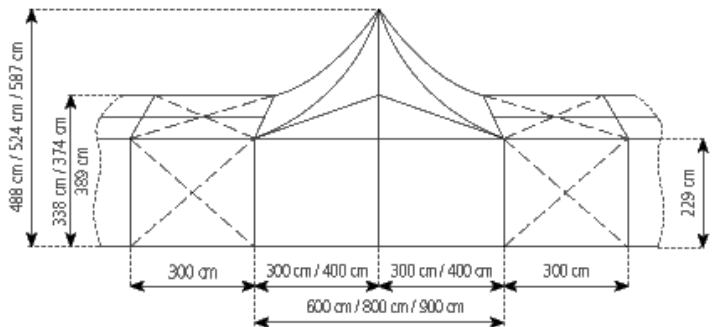
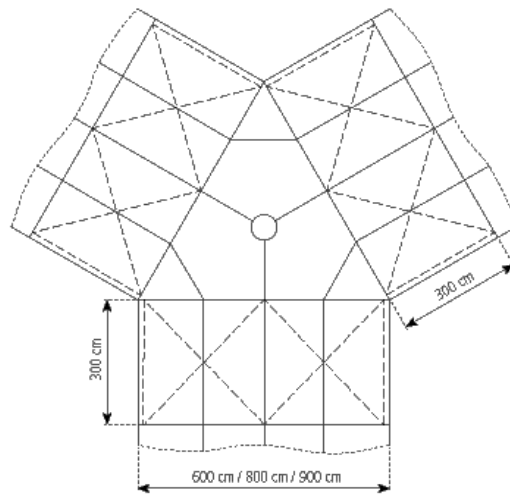
Aluminium cassettefloor with plywood or full aluminiumboards

**Cover**

RÖDER No. 1: PVC-coated polyester textile, flame retardant to DIN 4102 B1, M2

**Note**

All Mega variations fit 6m, 8m and 9m standard party tents



30.08.2008, [www.r-zs.de/en/17](http://www.r-zs.de/en/17)

RÖDER Zelt- und Veranstaltungsservice GmbH  
 63654 Büdingen Fon: +49 06049 700-0  
 Verkauf: Am Lautenstein Fax: +49 06049 700-339  
 Vermietung: An den Ellern Fon: +49 06049 700-309  
 HRB 3261, Friedberg UST.-IdNr.: DE 112607812

Geschäftsführer:  
 Rüdiger Blasius  
 Jens Brüggemann  
 St.-Nr.: 20 242 70249

Bank:  
 WGZ Bank eG  
 KBC Bank DTLD AG  
 Fortis Bank  
 Duns-Nr.: 32-239-9494

IBAN BLZ Konto  
 DE73 400 600 00 0000 772 633  
 DE86 500 203 00 0000 295 086  
 DE15 370 106 00 1102 421 161  
 info@r-zs.com

SWIFT/BIC  
 GENO DE MS  
 BANV DE HB 500  
 GEBADE 33  
 www.r-zs.com